

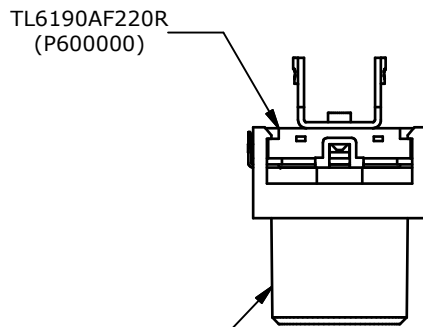
PC MOUNTING



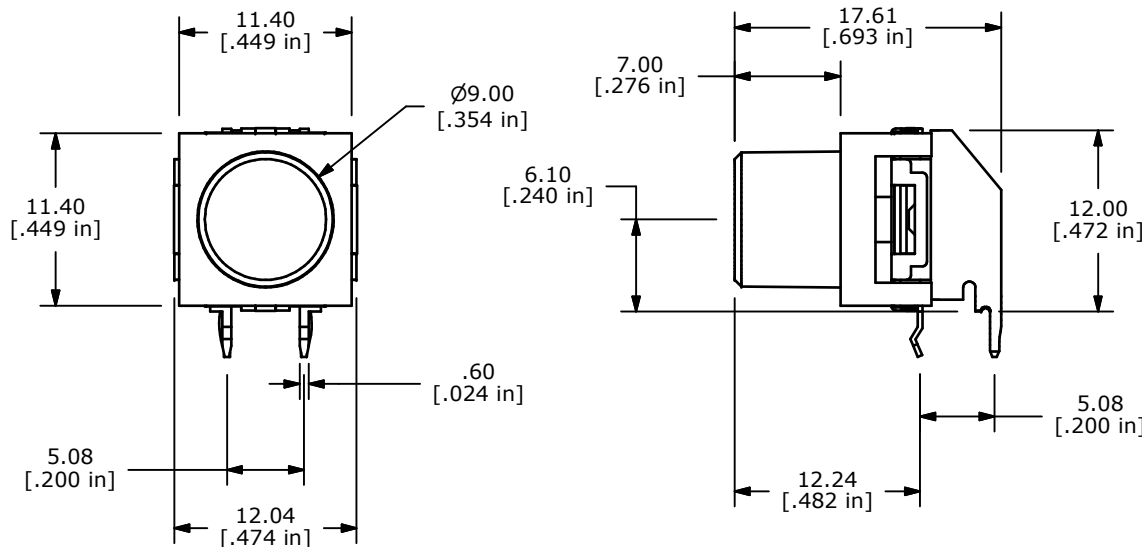
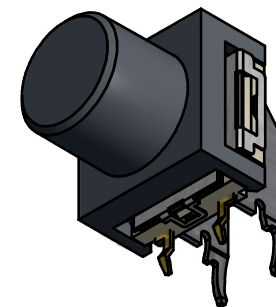
SPST N.O.
CIRCUIT

NOTES:

1. ALL DIMENSIONS IN MM [IN].
2. GENERAL TOLERANCE: X.X=±0.4
X.XX=±0.25
3. TERM. NOS. FOR REFERENCE ONLY.
4. RATING: 12V, 50mA MAX; 100mV, 10mA MIN
- ▲ 5. OPERATING FORCE: 220±60 GRAMS
6. TRAVEL: 0.50±0.20mm
7. CONTACT RESISTANCE: 100 MILLI-OHMS MAX (INITIAL)
8. MECHANICAL/ELECTRICAL LIFE: 100,000 CYCLES MIN
- ▲ 9. CONTACTS: GOLD, 10 MICRO INCHES MIN
10. ▲ DENOTES CRITICAL PARAMETER.
- ▲ 11. SWITCH TO BE SEALED PER E-SWITCH BUBBLE TEST.
12. OPERATING TEMPERATURE:
SWITCH: -40C TO +105C
CAP: -40C TO +85C
13. PACKAGING:
SWITCH: 40 PIECES PER TUBE
CAP: BULK



GRAY
TL6190 CAP
(P600014)



| | | | | |
|-----|--------|------------------------|---------|-----|
| C | 21556 | ADD "CAPKIT" TO TITLE | 8/22/14 | EBP |
| B | 18835 | CAP NUMBER WAS P600010 | 2/4/10 | BLR |
| A | 16145 | RELEASE TO PRODUCTION | 6/15/06 | BK |
| REV | PCR NO | DESCRIPTION | DATE | BY |



| | | | | |
|---|----------|-----|---------|-----|
| TITLE TL6190AF220RGRYCAPKIT C | | | | |
| SCALE | DATE | DR | DWG | REV |
| 2=1 | 2/4/2010 | BLR | XP0289A | C |

THE INFORMATION CONTAINED IN THIS DOCUMENT IS PROPRIETARY TO E-SWITCH AND IS NOT TO BE COPIED OR TRANSFERRED